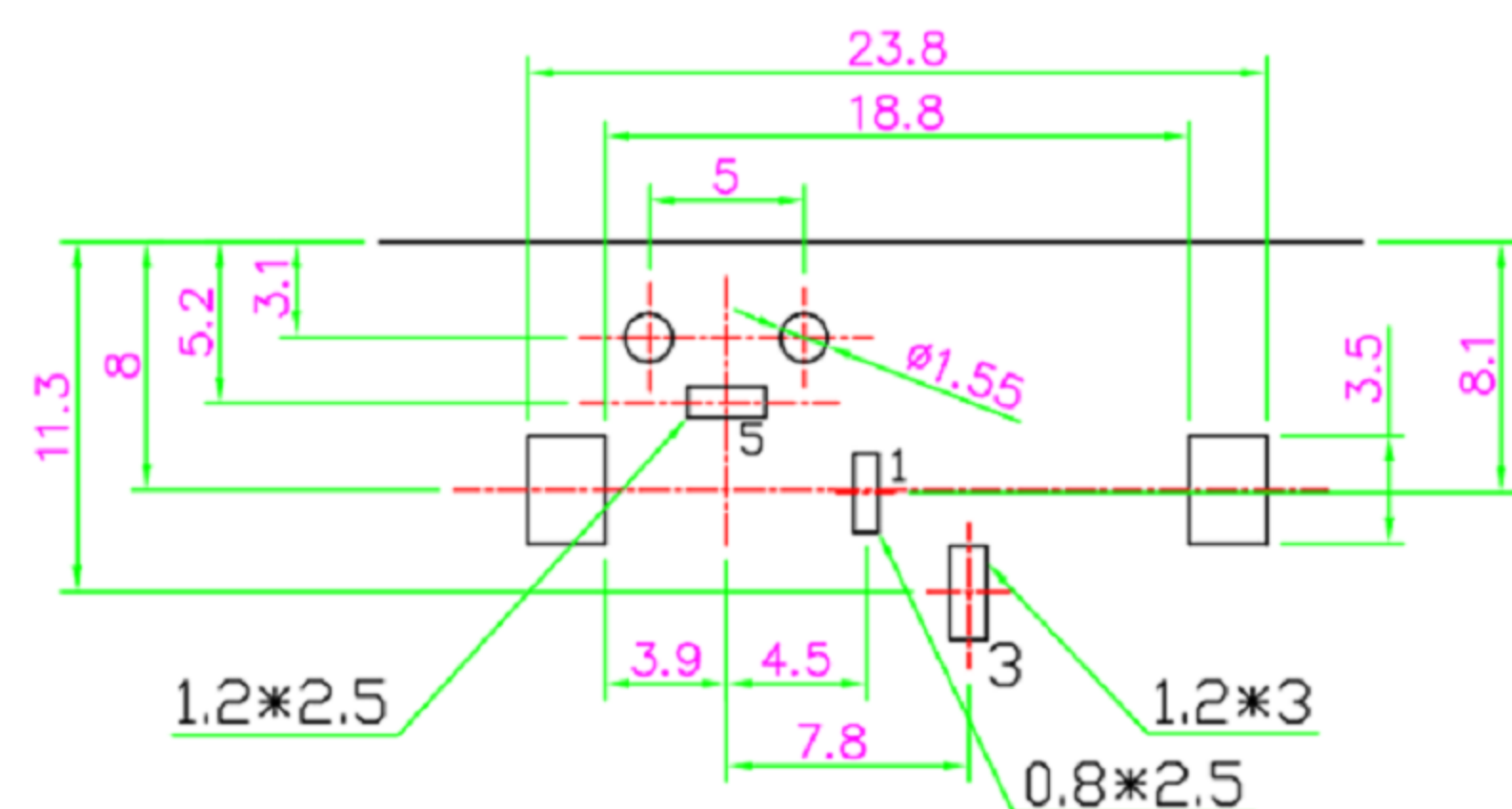
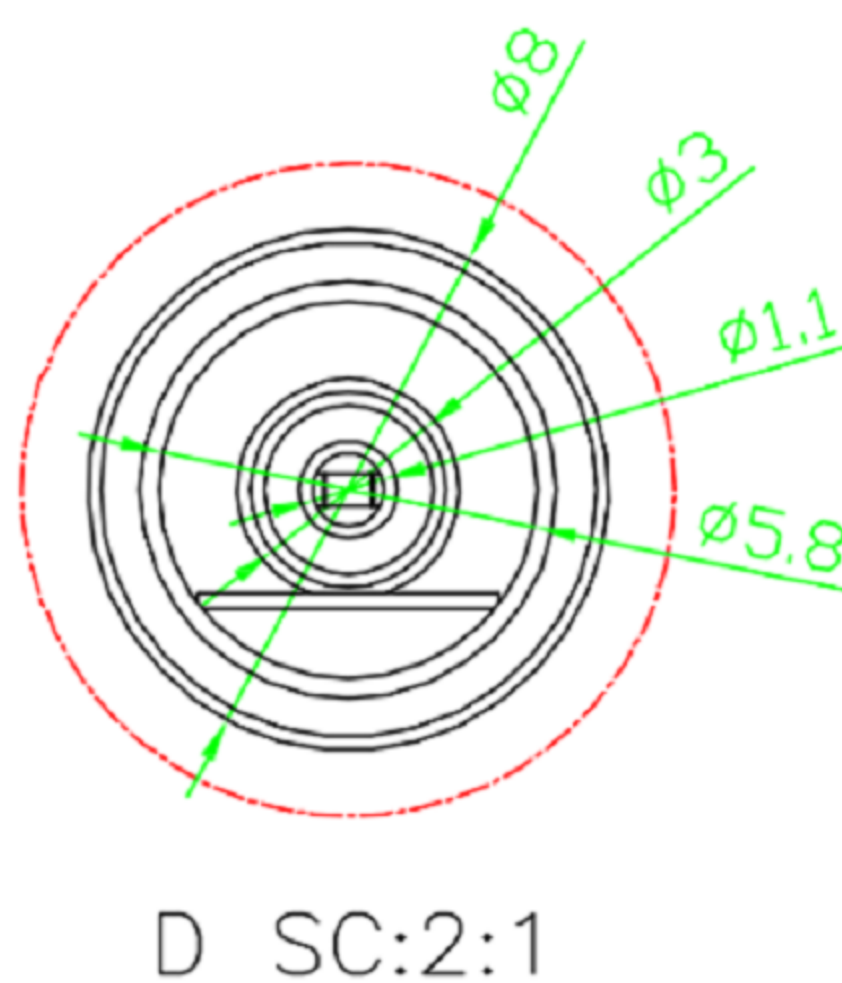
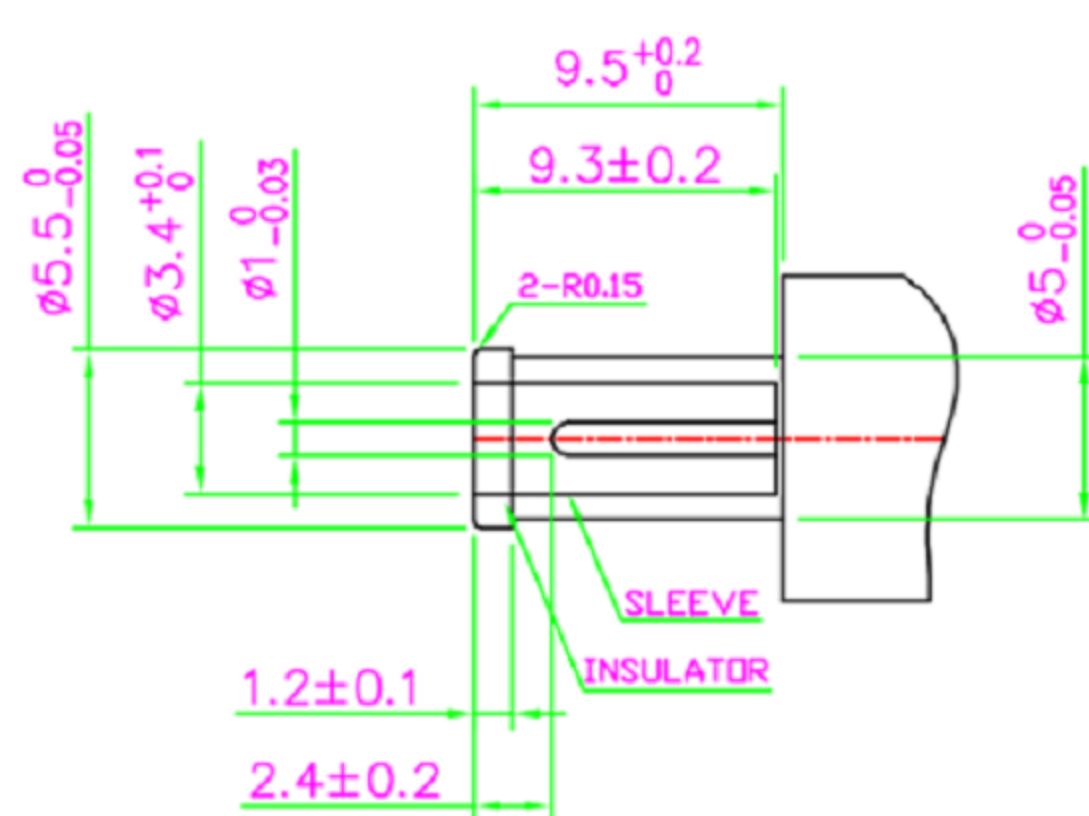
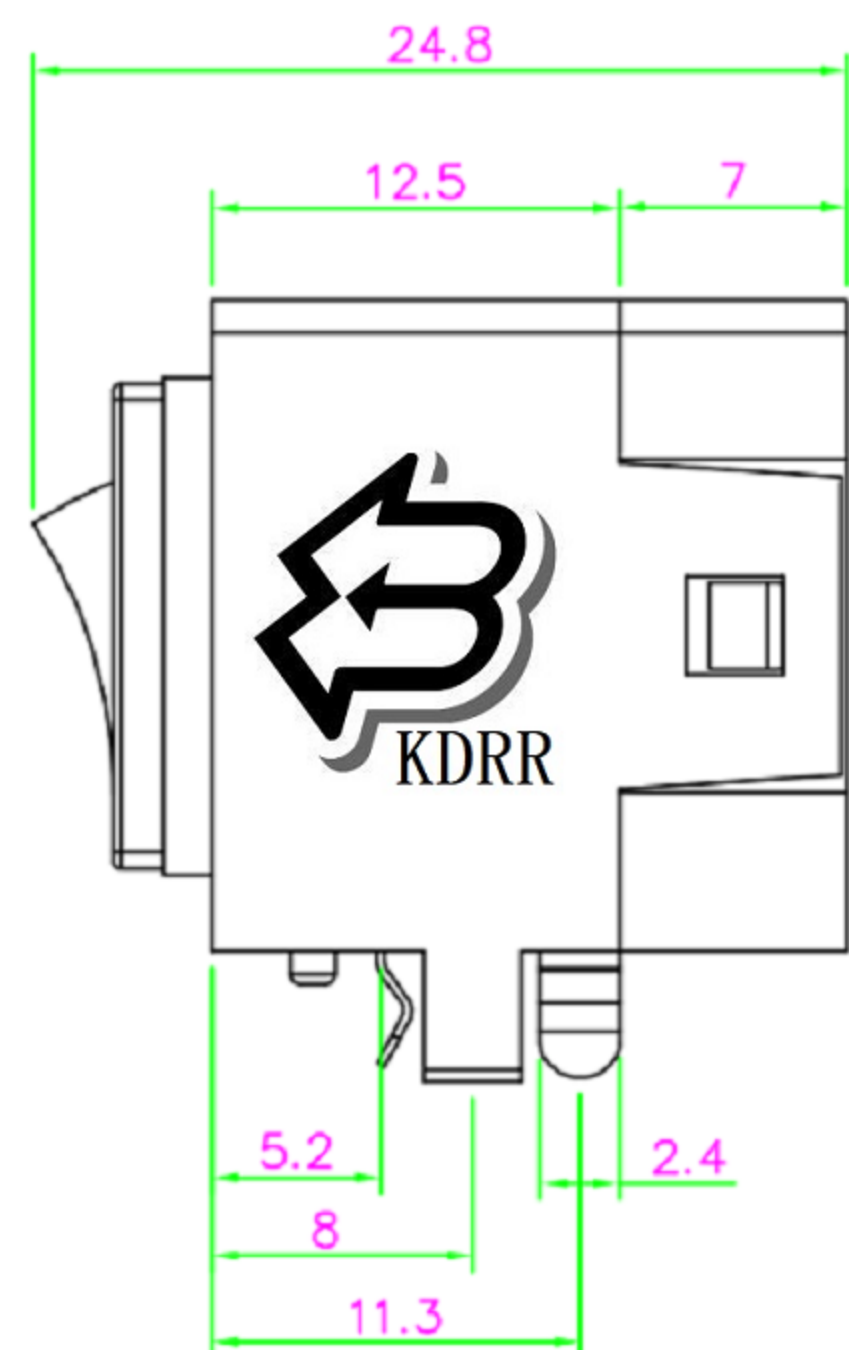
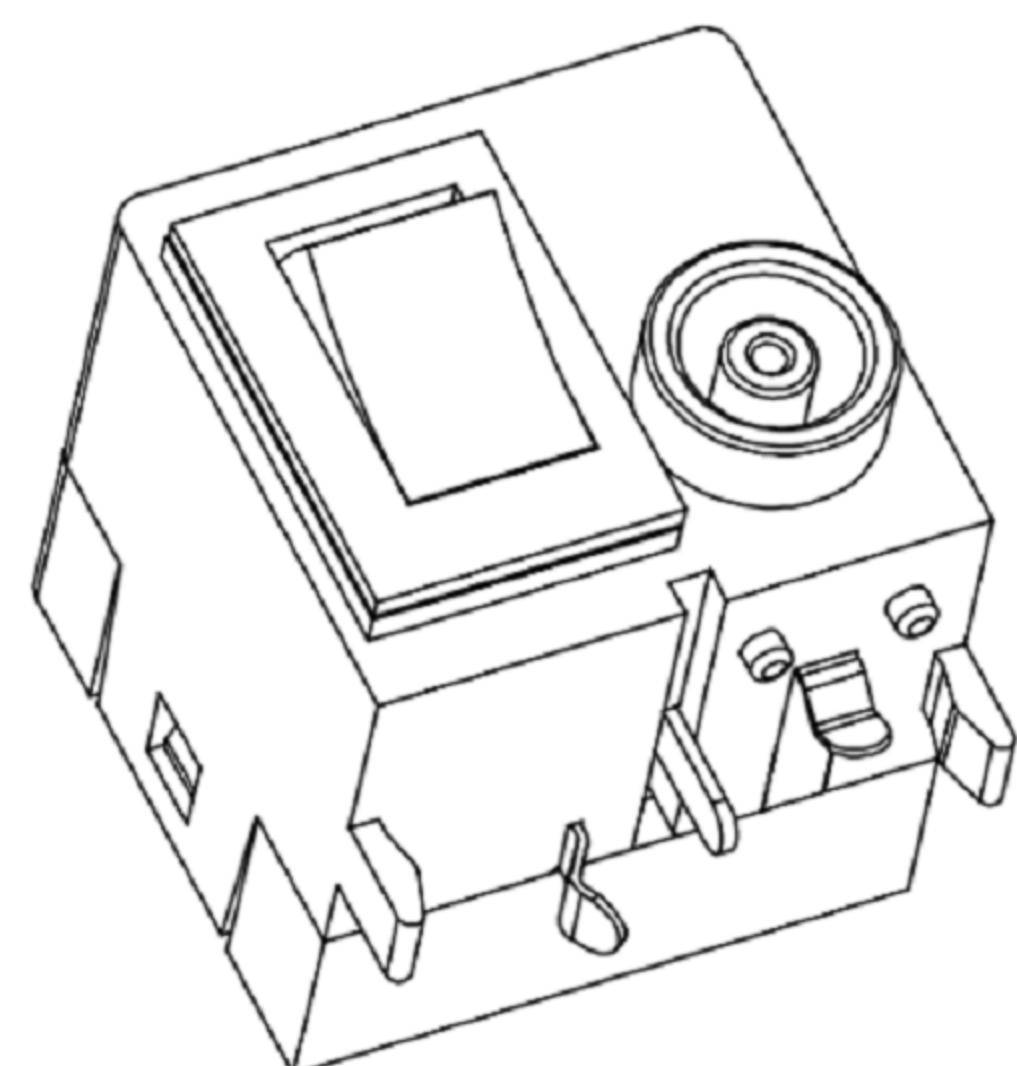


**SCHEMATIC**



PCB HOLES(THE PATTERN SIDS) t=1.2/1.6mm  
NOTE:GENERAL TOLERANCE:±0.1mm



**SPECIFICATION**

- 1.Rating : DC 12V 30V , 30A 50A
- 2.Contact resistance :  $\leq 30m\Omega$
- 3.Insulation resistance :  $\geq 100M\Omega$
- 4.Withstand voltage : 500VAC
- 5.Insertion and extraction force : 3-20N
- 6.life test : 5,000 cycles

NO.	DESCRIPTION	QTY	MATERIAL	PLATING
⑥	COVER	1	PF	
⑤	CONTACT FOOT	1	BRASS	Sn-Plating
④	PIN	1	BRASS	Ni-Plating
③	SPRING	1	PHOSPHOR BRONZE	Sn-Plating
②	FLAT PIECE	1	BRASS	Sn-Plating
①	HOUSING	1	PBT	

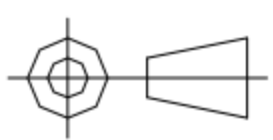


**东莞市高迪电子有限公司**  
Dong Guan KDRR Electronic Switch Jack Co., Ltd.

TOLERANCE UNLESS OTHERWISE STATED :

Up to 5	±0.2
Above 5 ~ 15	±0.3
Above 15 ~ 30	±0.4
Above 30 ~ 50	±0.5
Angle	±0.3°

3RD. ANGEL'S



UNITS MM

DRAWN BY:	DATE
Ming Ming Zou	6/8/23
CHECKED BY:	DATE
Ning Ning Su	6/8/23
APPROVED BY:	DATE
Jia Xiang	6/8/23

MAT'L	TITLE	JACK
FINISH	MODLE	DC JACK
SCALE	DWG NO.	GD-DC-05SW
SHEET NO.	PART NO.	
1 of 1		

ITEM NO.	DESCRIPTION	DRAWN	DATE
4	更新材質	Jack	050420
3	更新尺寸	Jack	121119
2	更新尺寸標示位置	Jack	082719
1	更新尺寸	Jack	080519

SIZE A4  
VER R4